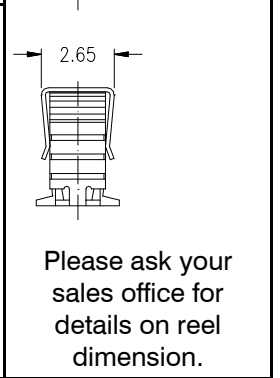
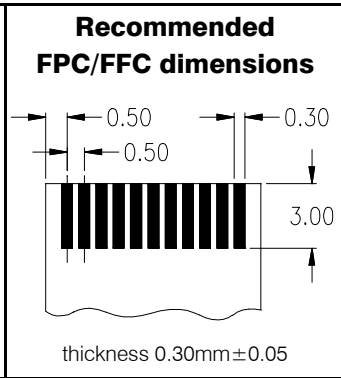
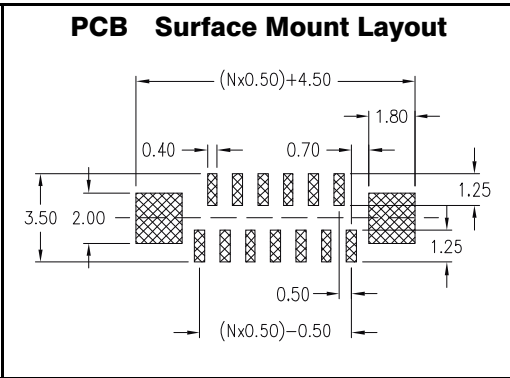
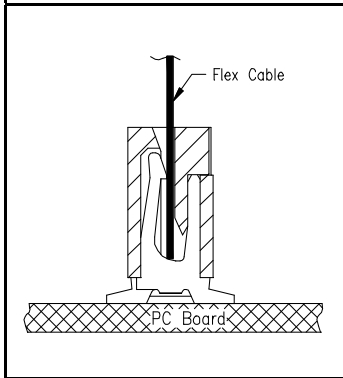
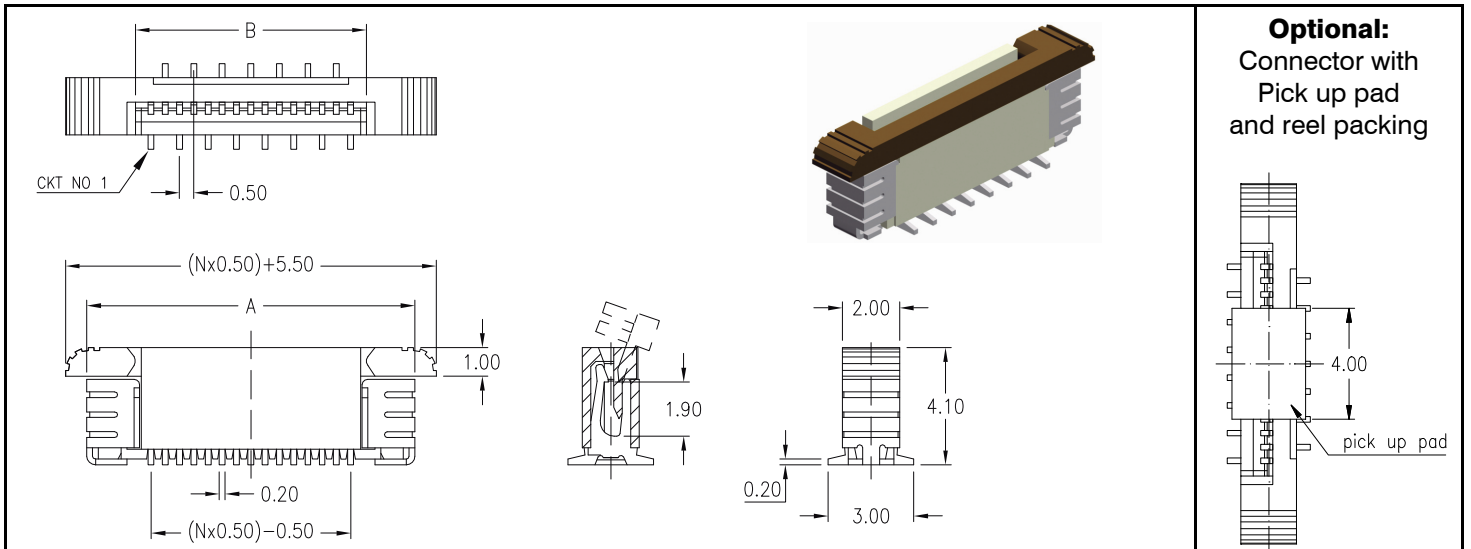


FPC/FFC Connector ZIF Type

- SMT - 0.50mm pitch vertical



SPECIFICATIONS

Current rating	0.4 A max.	Operating temperature	- 55°C to +85°C
Insulator resistance	50 MΩ min.	Processing temperature	+250°C +0/-5°C for 3sec.
Contact resistance	30 mΩ max.	Contact material	(RoHS compliant) Phosphor Bronze
Withstanding voltage	250 V AC/1 Min.	Contact plating	Tin (leadfree)
		Insulator material	(RoHS compliant) Nylon UL 94 V-0

Dimensions (mm)

Contacts	DIM "A"	DIM "B"	Contacts	DIM "A"	DIM "B"	Contacts	DIM "A"	DIM "B"	Contacts	DIM "A"	DIM "B"
004	6.00	2.60	016	12.00	8.60	028	18.00	14.60	040	24.00	20.60
005	6.50	3.10	017	12.50	9.10	029	18.50	15.10	041	24.50	21.10
006	7.00	3.60	018	13.00	9.60	030	19.00	15.60	042	25.00	21.60
007	7.50	4.10	019	13.50	10.10	031	19.50	16.10	043	25.50	22.10
008	8.00	4.60	020	14.00	10.60	032	20.00	16.60	044	26.00	22.60
009	8.50	5.10	021	14.50	11.10	033	20.50	17.10	045	26.50	23.10
010	9.00	5.60	022	15.00	11.60	034	21.00	17.60	046	27.00	23.60
011	9.50	6.10	023	15.50	12.10	035	21.50	18.10	047	27.50	24.10
012	10.00	6.60	024	16.00	12.60	036	22.00	18.60	048	28.00	24.60
013	10.50	7.10	025	16.50	13.10	037	22.50	19.10	049	28.50	25.10
014	11.00	7.60	026	17.00	13.60	038	23.00	19.60	050	29.00	25.60
015	11.50	8.10	027	17.50	14.10	039	23.50	20.10			

How to order

FCZ - xxx - V 050 - 99 / XX

